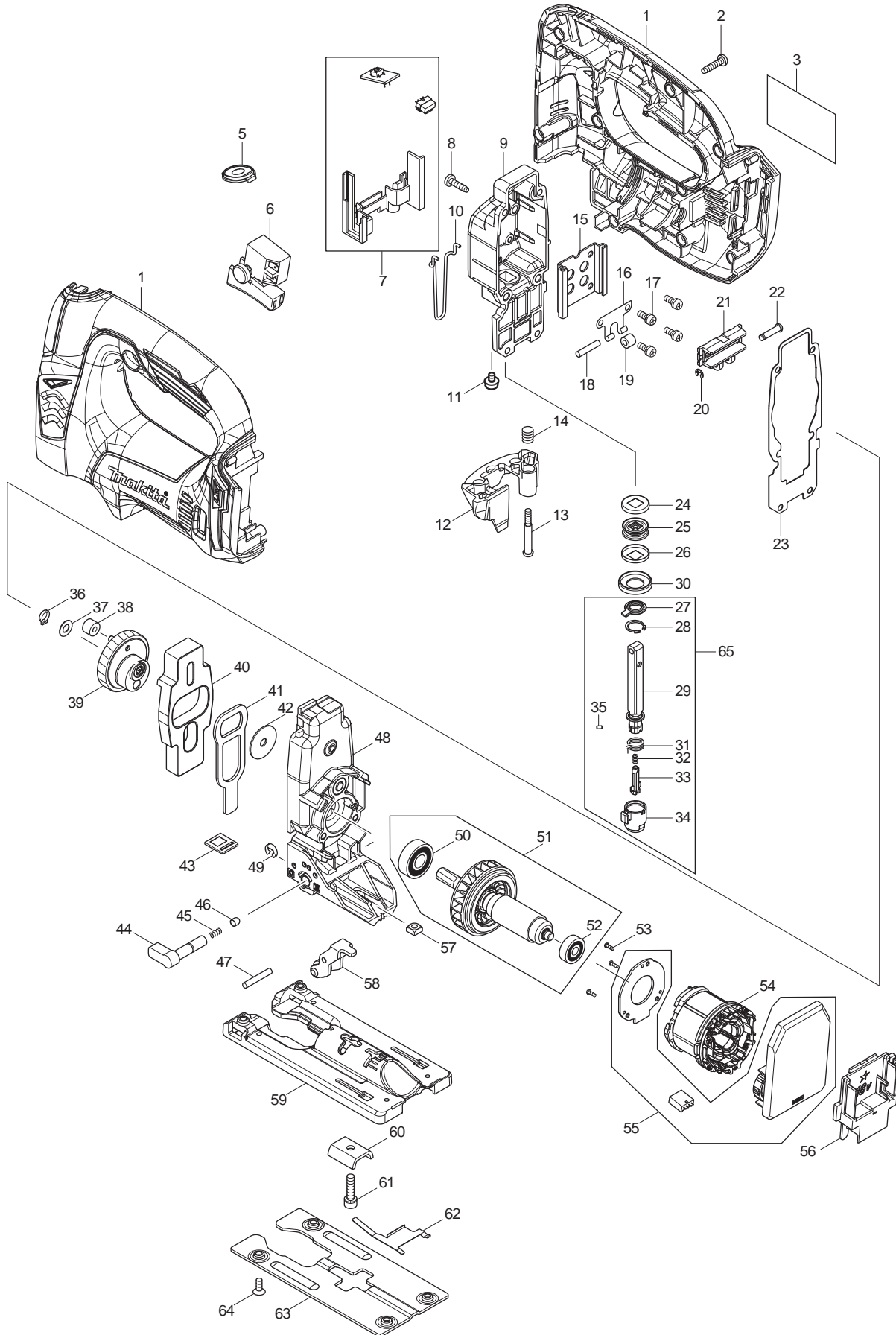




07 - 2014  
DJV182RME / DJV182RFE / DJV182Z  
18V BRUSHLESS JIG SAW (TOP HANDLE)



## PARTS LIST

Item No	Type	Part No	Description	Qty	Unit
001		187706-8	HOUSING SET	1	PC.
001	INC.	263005-3	RUBBER PIN 6	2	PC.
002		265995-6	TAPPING SCREW 4X18	9	PC.
003		814V65-6	NAME PLATE F/DJV182	1	PC.
005		142303-7	SWITCH PLATE COMPLETE	1	PC.
006		650251-1	SWITCH SGEL106C-4	1	PC.
007		632B56-3	SWITCH UNIT	1	PC.
008		266034-5	TAPPING SCREW CT 4X16	4	PC.
009		142112-4	GEAR HOUSING COVER COMPLETE	1	PC.
010		326302-9	SAFETY WIRE	1	PC.
011	2	265132-2	PAN HEAD SCREW M4X5	1	PC.
012		454483-0	TOOL OPENER	1	PC.
013		265026-1	+ PAN HEAD SCREW M4	1	PC.
014		231659-4	TORSION SPRING 6	1	PC.
015		346687-7	LINEAR GUIDE	1	PC.
016		232207-2	LEAF SPRING	1	PC.
017		911111-5	PAN HEAD SCREW M4X10	4	PC.
018		256117-9	PIN 4	1	PC.
019		214031-5	PLANE BEARING 4	1	PC.
020		961017-7	STOP RING E-3	1	PC.
021	2	310837-0	SLIDER	1	PC.
022		268090-1	PIN 4	1	PC.
023		442195-7	GASKET	1	PC.
024		267854-0	CAP WASHER 8	1	PC.
025		421815-6	DUST SEAL 8	1	PC.
026		267854-0	CAP WASHER 8	1	PC.
027		424569-4	DUST COVER	1	PC.
028		962063-3	RETAINING RING R-13	1	PC.
029		165724-6	ROD	1	PC.
030		257347-5	RING 21	1	PC.
031		233591-8	TORSION SPRING 10	1	PC.
032		233314-4	COMPRESSION SPRING 4	1	PC.
033		310485-5	LOCK PIN	1	PC.
034		310547-9	BLADE HOLDER	1	PC.
035		256528-8	PIN 2	1	PC.
036		961002-0	RETAINING RING S-6	1	PC.
037		253715-0	FLAT WASHER 6	1	PC.
038	2	212092-9	NEEDLE BEARING 407	1	PC.

Item No	Type	Part No	Description	Qty	Unit
039		142109-3	GEAR COMPLETE	1	PC.
040		313260-8	BALANCE PLATE	1	PC.
041		346688-5	PUSH PLATE	1	PC.
042		253196-8	FLAT WASHER 6	1	PC.
043		454484-8	SEAL PLATE	1	PC.
044	2	272280-0	LEVER 17	1	PC.
045		233139-6	COMPRESSION SPRING 3	1	PC.
046		286032-3	CAP 5	1	PC.
047		268063-4	PIN 4	1	PC.
048		142111-6	GEAR HOUSING COMPLETE	1	PC.
049		961018-5	STOP RING E-5	1	PC.
050		210059-1	BALL BEARING 6000DDW	1	PC.
051	1	519329-8	ROTOR ASSY	1	PC.
051	1	INC.	Item No. 50,52		
053		266490-9	TAPPING SCREW PT 2X6	3	PC.
054		629998-8	STATOR	1	PC.
055	1	620248-4	CONTROLLER	1	PC.
055	2	620B24-8	CONTROLLER	1	PC.
056		643899-6	TERMINAL	1	PC.
057		252171-1	SQUARE NUT M5-8	1	PC.
058		142110-8	RETAINER COMPLETE	1	PC.
059		319016-7	BASE	1	PC.
060		345237-5	CRANK PLATE	1	PC.
061		922231-0	HEX. SOCKET HEAD BOLT M5X20	1	PC.
062		232208-0	LEAF SPRING	1	PC.
063		346685-1	BASE PLATE	1	PC.
064		265085-5	+ COUNTERSUNK HEAD SCREW M4X8	4	PC.
065		135602-4	ROD ASS'Y	1	PC.
065	INC.		Item No. 27-29,31-35		
A02		415524-7	ANTI-SPLINTERING DEVICE	1	PC.
A03		417852-6	COVER PLATE	1	PC.
A04		792529-7	JIG SAW BLADE B-10, 5PC/SET	1	SET
A04		E-10687	JIG SAW BLADE 3PC/KIT	1	KT
A04		792724-9	JIG SAW BLADE ASSORTED 6PC KIT(2 EA: B-10, B-22, BR-13)	1	SET
A04		792473-8	JIGSAW BLADE NO.B22 5PC/SET	1	SET
A04		792729-9	JIGSAW BLADE NO.BR13 5PC/SET	1	SET
A07		783202-0	HEX. WRENCH 4	1	PC.
A08		821593-2	PLASTIC CARRYING CASE	1	PC.
A08	INC.	162315-4	LATCH	2	PC.

Item No	Type	Part No	Description	Qty	Unit
A08C		197211-7	INTERLOCKING CASE M (TYPE2)	1	PC.
A08C	INC.	453974-8	LATCH	4	PC.
A09C		837639-4	INNER TRAY F/ INTERLOCKING CASE M	1	PC.
A10		-----	BATTERY CHARGER		
A11		-----	18V LI-ION BATTERY		
A12		-----	LI-ION BATTERY ACCESSORIES		
A13		126331-0	DUST NOZZLE ASSEMBLY	1	PC.
A14		193516-3	GUIDE RULE SET	1	PC.
A14	INC.	271601-3	KNOB 20	1	PC.
A14	INC.	323802-0	GUIDE PIN	1	PC.
A14	INC.	165217-3	GUIDE RULE - Not available individually	1	PC.
A14	INC.	922207-7	HEX. SOCKET HEAD BOLT M5X10	1	PC.
A15		193517-1	GUIDE RAIL ADAPTER SET	1	PC.
A15	INC.	265785-7	THUMB SCREW M5X10	1	PC.
A15	INC.	345250-3	RULE BAR - Not available individually	1	PC.
A15	INC.	417894-0	GUIDE RAIL ADAPTER - Not available individually	1	PC.
A16		194367-7	GUIDE RAIL 3000 SET	1	PC.
A16		194368-5	GUIDE RAIL 1400 SET	1	PC.
A16		194925-9	GUIDE RAIL 1900MM	1	PC.
A16		199140-0	GUIDE RAIL 1000MM	1	PC.
A16		199141-8	GUIDE RAIL 1500MM	1	PC.
A17		B-44410	JIGSAW BLADE 10PC/KIT	1	PC.
A17		B-44410	JIGSAW BLADE 10PC/KIT	1	PC.
A18		197252-3	GUIDE RAIL ADAPTER	1	PC.
A19		193517-1	GUIDE RAIL ADAPTER	1	PC.
A22		198885-7	GUIDE RAIL CONNECTORS	1	PC.
A23	1	B-57613	GUIDE RAIL BAG 1500MM	1	PC.
A23	2	E-05664	GUIDE RAIL BAG 1500MM	1	PC.
A24	2	66-143	GUIDE RAIL BAG 3000MM	1	PC.
A24	3	E-10936	GUIDE RAIL BAG 3000MM	1	PC.
A25		196664-7	BEVEL GUIDE SET	1	PC.
A26		194417-8	RUBBER SHEET 384" (10000MM)	1	PC.
A27		194416-0	VINYL SHEET 384" (10000MM)	1	PC.
D01		654510-5	INSULATED CONNECTOR 5.5-SD	3	PC.
E01		802C68-8	CAUTION LABEL	1	PC.